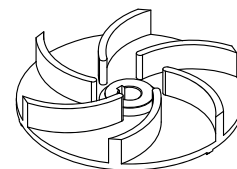


# HYDROPOMPE

## PX SERIES

PX3MP-PX5MP-PX7MP-PX4MP/12

### VORTEX IMPELLER



#### USE

The D.C. electric submersible pumps at 12 and 24 Volts are suitable for the lifting of dirty water. Driven by normal batteries they are particularly used for the lifting of water from road drain wells, basements and from sites where the electric current is not available. Connected to an electric panel, with automatic battery charger, the pumps are used in fixed installations for draining basements of villas and block of flats.

#### MATERIALS

##### Cover

Cast iron EN GJL 200 (UNI EN 1561)

##### Pump housing

Cast iron EN GJL 200 (UNI EN 1561)

##### Supporting foot

Cast iron EN GJL 200 (UNI EN 1561)

##### Impeller

Cast iron EN GJL 200 (UNI EN 1561)

##### Seal motor side

3MP-5MP-7MP seal ring

##### Mechanical seal impeller side

3MP-5MP-7MP Steatite/Graphite  
4MP Silicon Carbide/Silicon Carbide (SiC/SiC)

##### Motor housing

Stainless steel AISI 304

##### Motor shaft

Stainless steel AISI 416

##### Bolts and nuts

Stainless steel Grde A2

##### Cable

5 meters type H07RN-F 2G6mm<sup>2</sup>

#### LIMITS TO USE

##### Max temperature of the liquid pumped

+40°C

##### pH of the liquid pumped

6÷10

##### Max immersion depth

5 m

##### Liquid density

1,0 kg/dm<sup>3</sup>

##### Min immersion depth for continuous service

3MP-4MP-5MP 300 mm  
7MP 350 mm

##### Free passage

3MP-4MP-5MP 30 mm  
7MP 40 mm

##### Max number starts/hour

20

##### Acoustic pressure level issued

<70dB(A)

#### MOTOR

The electric motor is asynchronous with squirrel cage rotor in dry chamber

Class of insulation F

Protection degree IP68

Main voltage values and relative tolerance in relation to the rated voltage value:

24V D.C. +10% ÷ -5%

12V D.C. +10% ÷ -5%

#### OTHER FEATURES ON REQUEST

Silicon carbide (SiC/SiC) mechanical seal  
4MP/12 model with 10 meters 1G16mm<sup>2</sup> cable and battery clamps

Inlet with strainer (free passage 8mm)

#### TECHNICAL DATA

MODEL	P1 kW	P2		VOLTAGE V	CURRENT A	CABLE m	WEIGHT kg
		kW	CV				
3MP	0,40	0,30	0,40	24	17	5	11
5MP	0,62	0,50	0,70	24	26	5	12
7MP	0,84	0,75	1,0	24	35	5	17
4MP/12	0,40	0,30	0,40	12	34	5	11

# PX SERIES

PX3MP-PX5MP-PX7MP-PX4MP/12

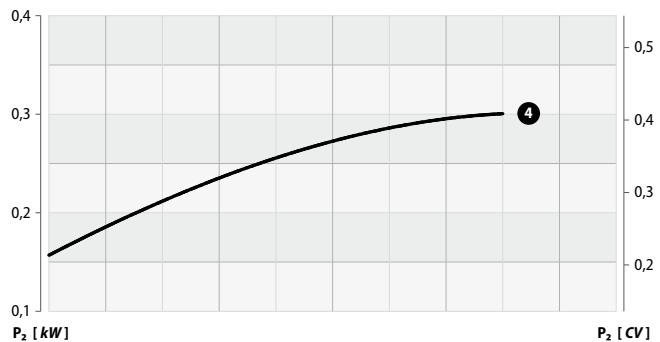
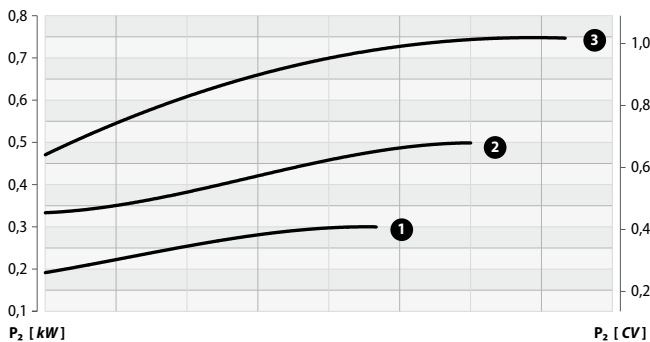
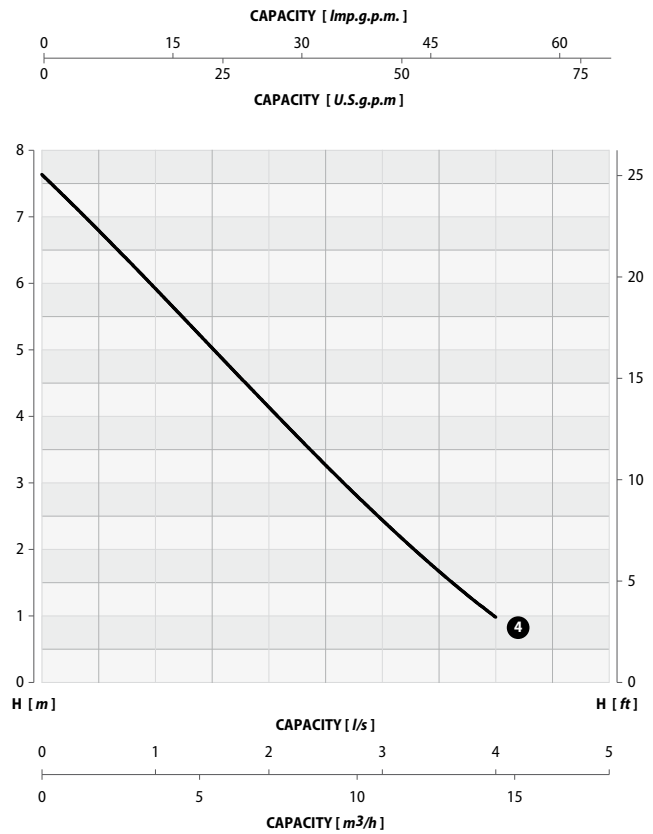
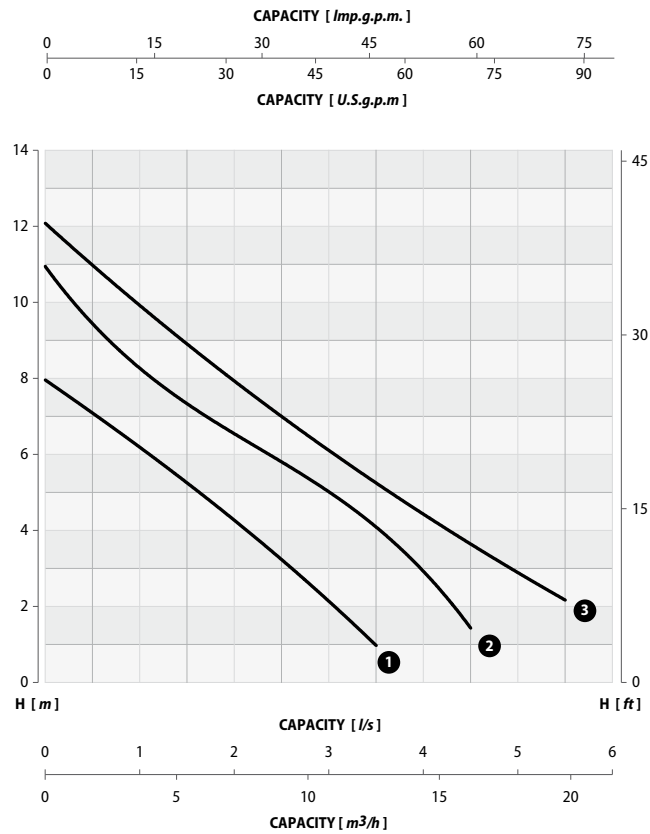


VORTEX IMPELLER

## PERFORMANCE RANGE

		CAPACITY											
<i>l/s</i>	0	0,5	1	1,5	2	2,5	3,0	3,5	4,0	4,5	5,0	5,5	
<i>m³/h</i>	0	1,8	3,6	5,4	7,2	9,0	10,8	12,6	14,4	16,2	18,0	19,8	
<i>l/min</i>	0	30	60	90	120	150	180	210	240	270	300	330	

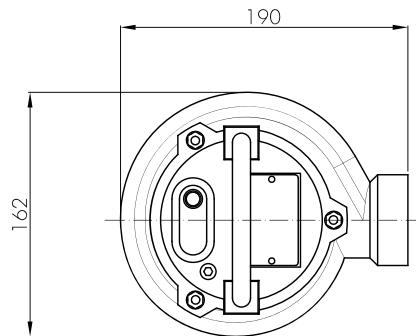
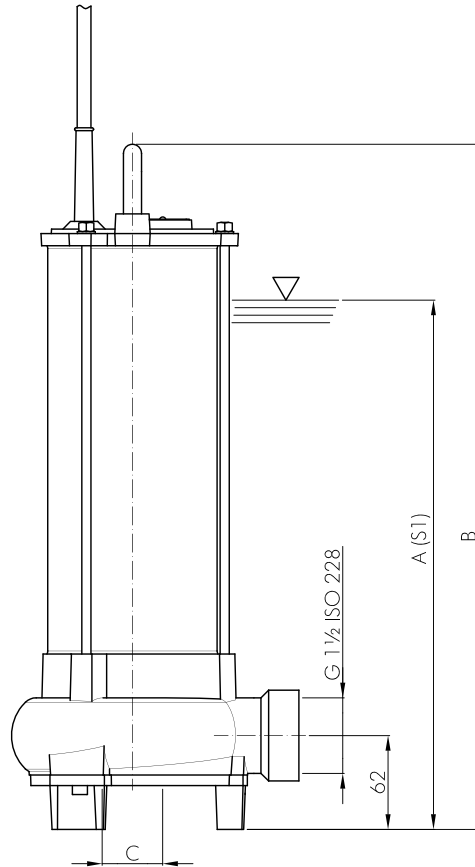
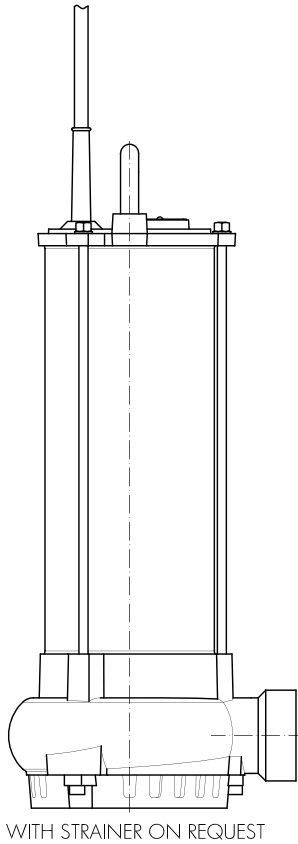
MODEL	CURVE <i>N°</i>	HEAD <i>m</i>											
		8,0	7,0	6,2	5,3	4,3	3,2	2,1	1,0	-	-	-	-
3MP	1	8,0	7,0	6,2	5,3	4,3	3,2	2,1	1,0	-	-	-	-
5MP	2	10,9	9,7	8,0	7,1	6,8	6,0	5,0	3,9	2,9	1,5	-	-
7MP	3	12,0	11,0	10,0	9,0	8,0	7,0	5,8	5,1	4,5	3,9	3,0	2,0
4MP/12	4	7,5	7,0	6,0	5,0	4,0	3,1	2,5	2,0	0,8	-	-	-



Performance tolerance in according to UNI/ISO 9906 Grade 3B



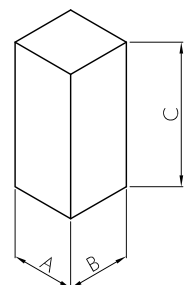
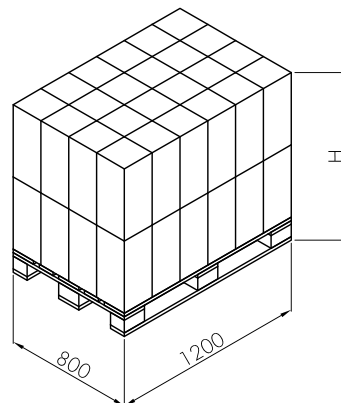
**INSTALLATION DIMENSIONS**



	A	B	C
PX3MP	300	402	30
PX5MP	300	402	30
PX7MP	350	453	40
PX4MP/12	300	402	30

**PACKAGING DIMENSIONS**

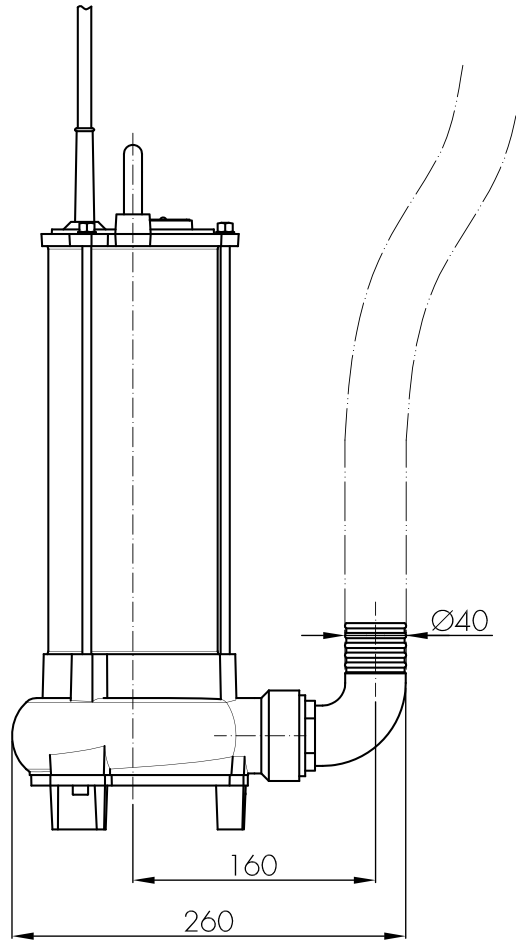
MODEL	PUMPS N°	WEIGHT kg	H mm	AxBxC mm
3MP	32	400	800	220x180x450
5MP	32	440	800	220x180x450
7MP	24	460	900	250x200x560
4MP/12	32	400	800	220x180x450






PORTABLE INSTALLATION

Transportable as emergency pump with connection to the hose and for free installation in the well.



NOTES

 .....

.....


.....

.....

.....

.....

.....

 Changes reserved

02/2019