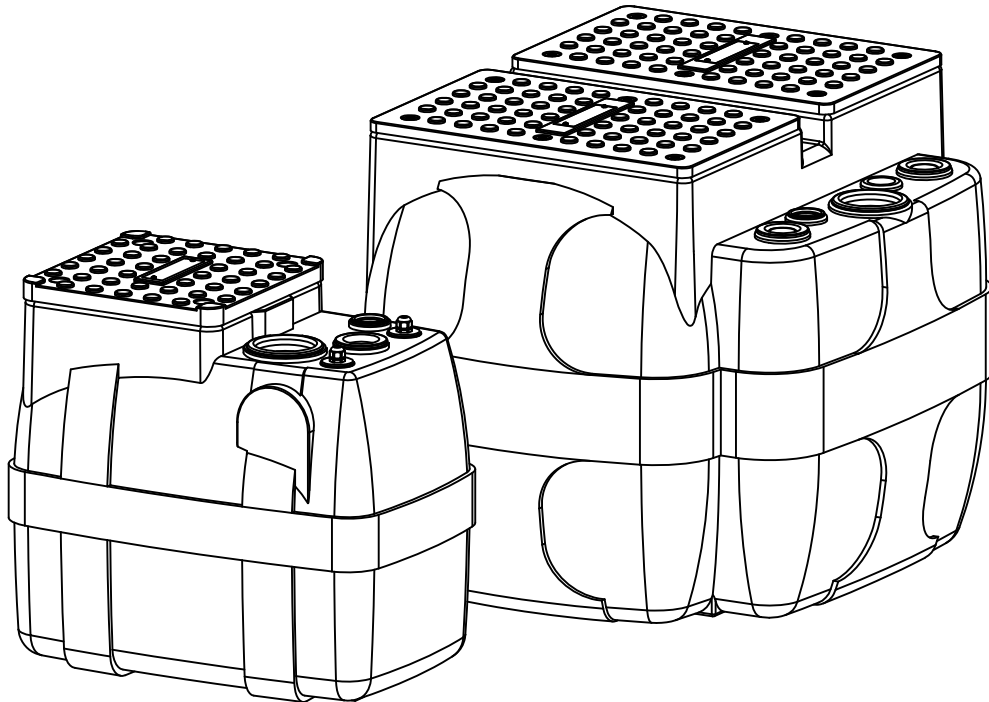


HYDROPOMPE

COLLECTION TANKS FOR LIFTING STATIONS

P200V - P200H - P600H



USE

Rotomoulded polyethylene tanks, with a capacity of 200 or 600 litres, suitable for collecting clear, dirty and waste water from domestic or civil plants. Sturdy and easy to install they may be placed above-ground or partially set under the ground, indoor or outdoor with small building work. Depending on the models, the tanks can be fitted with one or two submersible pumps, with a freestanding installation on the tanks bottom or with the more functional and practical coupling system. The lifting stations are a rapid and effective solution for the pipe lines which can't have a discharge by gravity, but which need a wastewater lifting.

MATERIALS

Cover
Rotomoulded polyethylene with EPDM gaskets

Tank
Rotomoulded polyethylene

Outlet pipes
PVC

Base plate (depending on models)
AISI 304 stainless steel or galvanised steel

Gaskets
NBR

Cable glands
Polyamide

Coupling system
Cast iron EN GJL 200 (UNI EN 1561)

Guide rails (depending on model)
AISI 304 stainless steel or galvanised steel

Nuts and bolts
A2 Grade stainless steel

LIMITS OF USE

Max temperature of the liquid:
+40°C

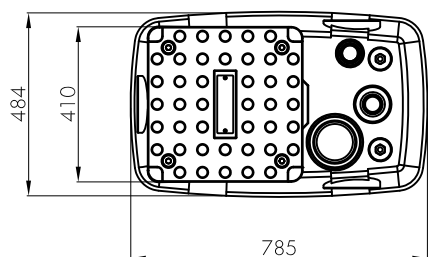
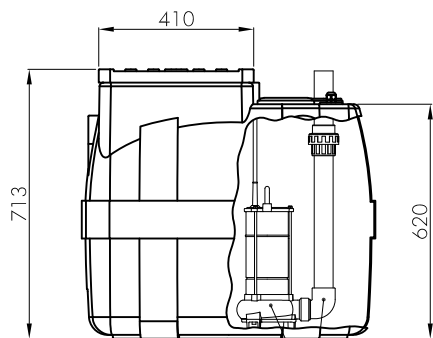
Max environmental temperature:
+40°C

Min environmental temperature:
-5°C

COLLECTION TANKS FOR LIFTING STATIONS

WITHOUT COUPLIG SYSTEM

P200V



P200V

EQUIPPED WITH THE FOLLOWING ACCESSORIES

- Inlet gasket Ø110 mm
- Vent gasket Ø50 mm
- Outlet gasket 1"½ - 2"
- Cable gland (x2)
- Galvanised steel plate for the support of one pump

ELECTRIC PUMPS WHICH CAN BE INSTALLED

- F 42... - F 62... - F 82... - F 92...F
- FTR 126... - FTR 128...

ACCESSORIES ON REQUEST

- 1"½ outlet pipe kit
- 2" outlet pipe kit

WEIGHT

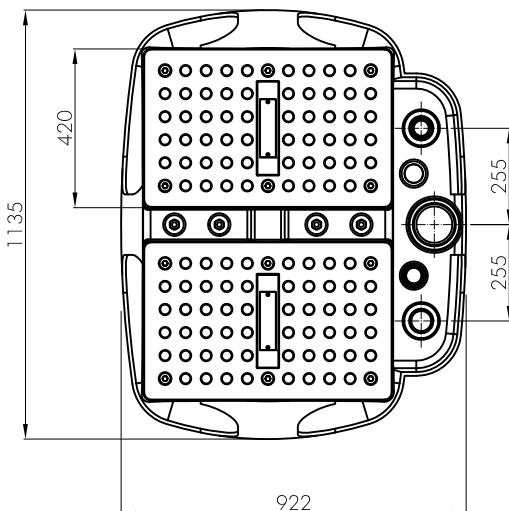
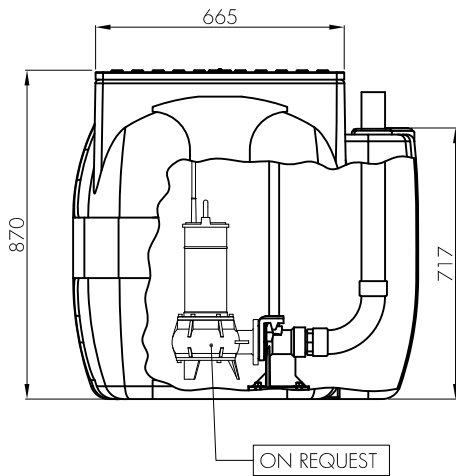
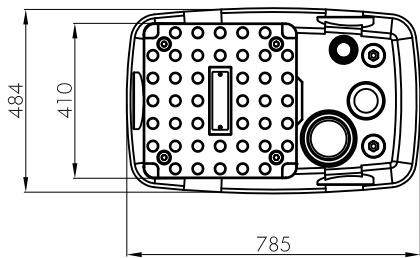
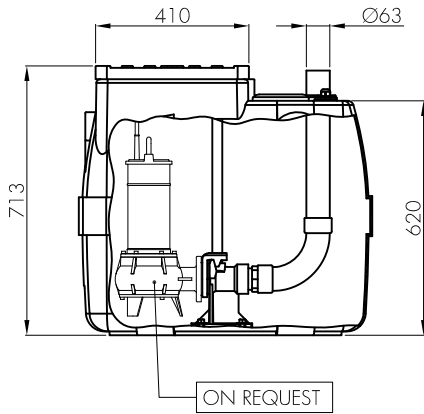
- 15kg (pump and accessories excluded)

COLLECTION TANKS FOR LIFTING STATIONS

WITH COUPLIG SYSTEM

P200H

P600H



P200H

EQUIPPED WITH THE FOLLOWING ACCESSORIES

- Inlet gasket Ø110 mm
- Vent gasket Ø50 mm
- Outlet gasket 2"
- Cable gland (x2)
- Coupling system with bracket and 3/4" guide rails
- Outlet pipe 2"
- Stainless steel base plate

ELECTRIC PUMPS WHICH CAN BE INSTALLED

- F 42... - F 62... - F 82... - F 92...F
- FTR 126... - FTR 128...

WEIGHT

25kg (pump and accessories excluded)

P600H

EQUIPPED WITH THE FOLLOWING ACCESSORIES

- Inlet gasket Ø110 mm
- Vent gasket Ø50 mm
- Outlet gaskets 2"
- Cable gland (x4)
- Coupling systems with bracket and 3/4" guide rails
- Outlet pipes 2"
- Stainless steel base plates

ELECTRIC PUMPS WHICH CAN BE INSTALLED

- F42... - F62... - F82... - F92...F - F102... - F152... - F202... - F104... - F154...
- FTR126... - FTR128... - FTR165... - FTR215... - FTR315

WEIGHT

55kg (pumps and accessories excluded)

COLLECTION TANKS FOR LIFTING STATIONS

NOTES



A large area for taking notes, consisting of multiple horizontal dashed lines for writing.