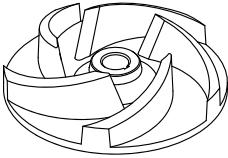


<b>HYDROPOMPE</b>	<b>OPEN IMPELLER</b> 	<b>50 Hz</b>
<b>HYDRO SERIES</b>		<b>2 POLE</b>
<b>9XM-9XT-11XM-11XT</b>		

**USE**

Submersible electric pumps suitable for the lifting of clear and dirty water. They can be used as portable pumps either in building yards, basement tanks or for fixed installation with electric panel and float switch.

**MATERIALS**

- Cover**  
Cast iron EN GJL 200 (UNI EN 1561)
- Pump housing**  
Cast iron EN GJL 200 (UNI EN 1561)
- Strainer**  
Stainless steel AISI 304
- Impeller**  
Cast iron EN GJL 200 (UNI EN 1561)
- Seal motor side**  
Seal ring
- Mechanical seal impeller side**  
Silicon Carbide/Silicon Carbide (SiC/SiC)
- Motor housing**  
Stainless steel AISI 304
- Motor shaft**  
Stainless steel AISI 420
- Bolts and nuts**  
Stainless steel Grade A2
- Cable**  
10 meters type H07RN-F  
Single-phase with 3G1mm<sup>2</sup> cable and SCHUKO (CEE 7/VII) plug  
Three-phase with 4G1mm<sup>2</sup> cable

**LIMITS TO USE**

- Max temperature of the liquid pumped**  
+40°C
- pH of the liquid pumped**  
6÷10
- Max immersion depth**  
5 m
- Liquid density**  
1,0 kg/dm<sup>3</sup>
- Min immersion depth for continuous service**  
329 mm
- Free passage**  
6 mm
- Max number starts/hour**  
20
- Acoustic pressure level issued**  
<70dB(A)

**MOTOR**

The electric motor is asynchronous with squirrel cage rotor in dry chamber  
Class of insulation F  
Protection degree IP68  
2pole; 50Hz

Main voltage values and relative tolerance in relation to the rated voltage value:

**SINGLE-PHASE**  
230V ±6%  
built-in overheating protection and float switch

**THREE-PHASE**  
230V ±10%  
400V ±10%


Other voltages on request.

**OTHER FEATURES ON REQUEST**

External capacitor with 4G1mm<sup>2</sup> cable  
Frequency 60 Hz (see specific catalogue)  
Other voltages  
With food grade white oil

**TECHNICAL DATA**

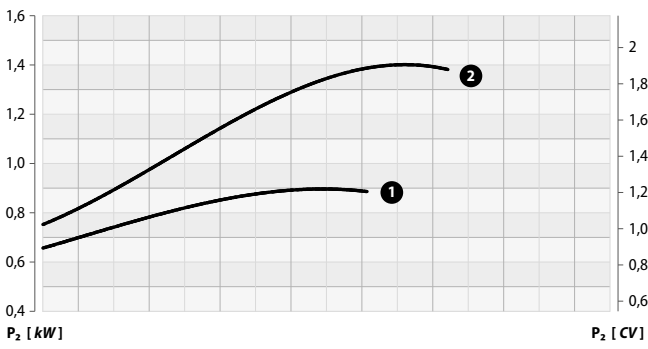
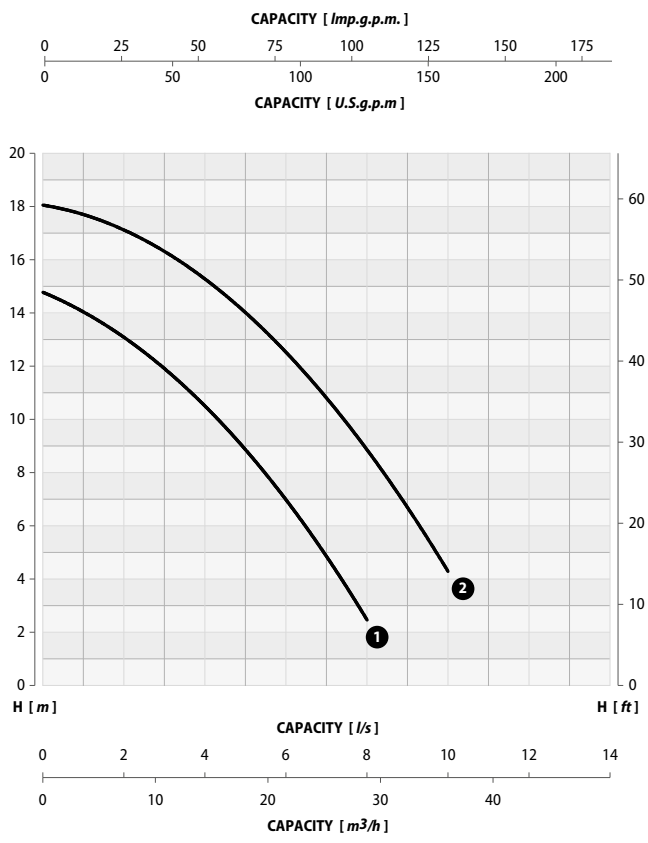
MODEL	P1 kW	P2		VOLTAGE V	CURRENT A	CAPACITOR		CABLE m	WEIGHT kg
		kW	CV			µF	V		
<b>9XM</b>	1,20	0,90	1,20	230 (1~)	5,6	20	450	10	18
<b>9XT</b>	1,20	0,90	1,20	230/400 (3~)	3,4/2	-	-	10	18
<b>11XM</b>	1,80	1,40	1,90	230 (1~)	8,0	25	450	10	20
<b>11XT</b>	1,80	1,40	1,90	230/400 (3~)	6,5/3,8	-	-	10	20

<b>HYDRO SERIES</b>	<b>9XM-9XT-11XM-11XT</b>		<b>OPEN IMPELLER</b>	<b>50 Hz</b>
				<b>2 POLE</b>


**PERFORMANCE RANGE**

		CAPACITY														
<i>l/s</i>	0	1,0	1,5	2,0	2,5	3,0	3,5	4,0	4,5	5,0	6,0	7,0	8,0	9,0	10,0	
<i>m³/h</i>	0	3,6	5,4	7,2	9,0	10,8	12,6	14,4	16,2	18,0	21,6	25,2	28,8	32,4	36,0	
<i>l/min</i>	0	60	90	120	150	180	210	240	270	300	360	420	480	540	600	

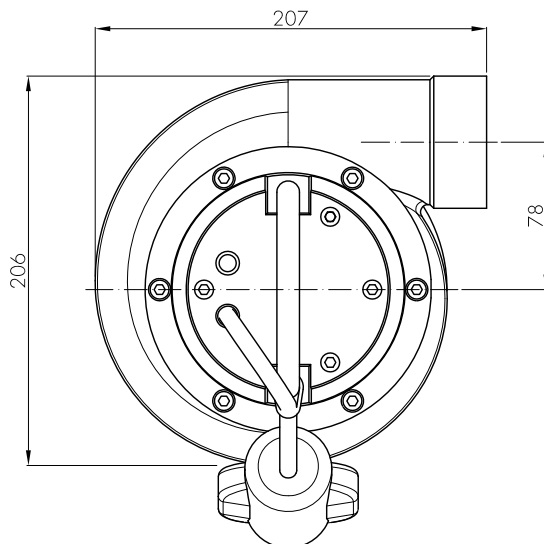
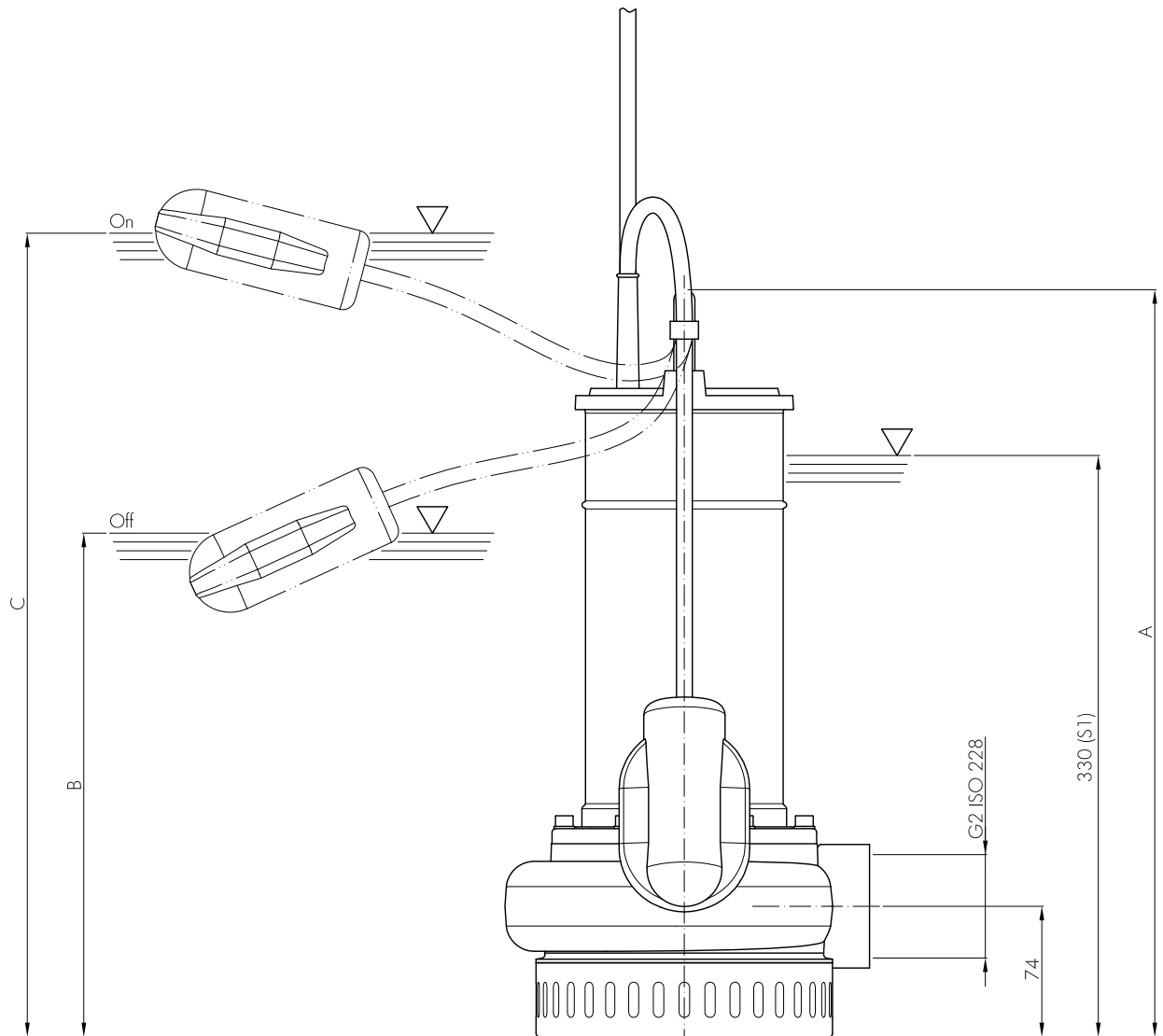
MODEL	CURVE N°	HEAD m															
		9XM	1	14,8	14,0	13,5	13,2	12,5	12,0	11,1	10,6	9,7	8,7	7,2	4,7	2,5	-
9XT	11XM	2		18,0	17,7	17,5	17,2	16,6	16,4	15,9	15,5	14,2	14,0	12,8	10,5	9,0	6,8
11XT																	




Performance tolerance in according to UNI/ISO 9906 Grade 3B

<b>HYDRO SERIES</b>	<b>9XM-9XT-11XM-11XT</b>		<b>OPEN IMPELLER</b>	<b>50 Hz</b>
				<b>2 POLE</b>

**INSTALLATION DIMENSIONS**

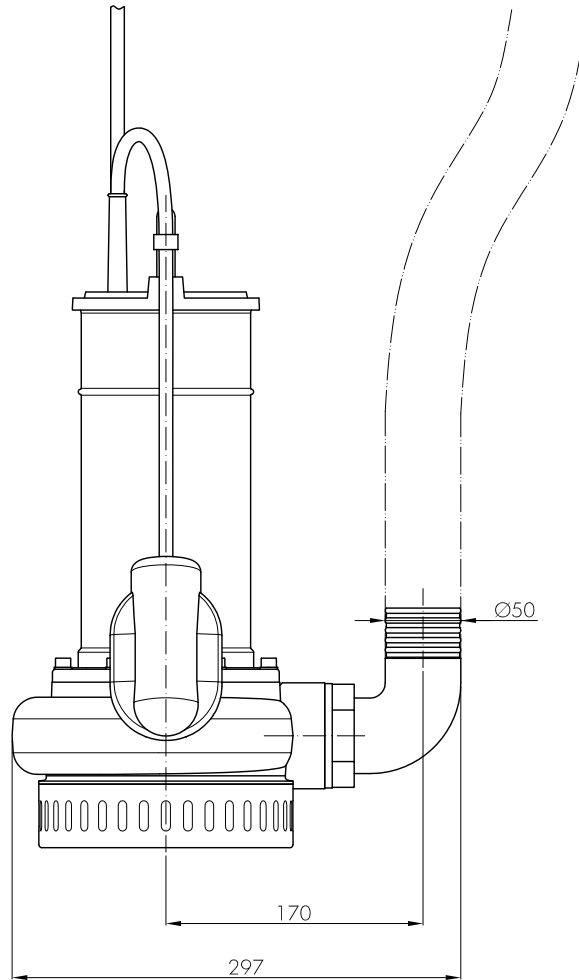


	A	B	C
9X...	424	~260	~460
11X...	449	~285	~485


<b>HYDRO SERIES</b>	<b>9XM-9XT-11XM-11XT</b>		<b>OPEN IMPELLER</b>	<b>50 Hz</b>
				<b>2 POLE</b>

**PORTABLE INSTALLATION**

Transportable as emergency pump with connection to the hose and for free installation in the well.



**NOTES**



.....

.....

.....

.....

.....

.....

.....

**i** Changes reserved

02/2019