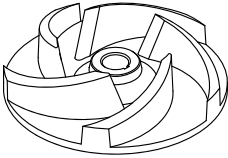


HYDROPOMPE	OPEN IMPELLER 	50 Hz
HYDRO SERIES		2 POLE
22K2		

USE

Submersible electric pumps suitable for the lifting of clear and dirty water. They are especially used in building yards and for pumping abrasive liquids.

MATERIALS

- Cover**
Anticorodal aluminium alloy
- Motor housing**
Anticorodal aluminium alloy
- Pump housing**
Anticorodal aluminium alloy with rubber coating
- Strainer**
Anticorodal aluminium alloy
- Wear plate**
Stainless steel with rubber coating
- Impeller**
Stainless steel
- Mechanical seal motor side**
Ceramics/Graphite
- Mechanical seal impeller side**
Silicon Carbide/Silicon Carbide (SiC/SiC)
- Motor shaft**
Stainless steel AISI 431
- Bolts and nuts**
Stainless steel Grade A2
- Cable**
20 meters type 07RN-F 7G4+2x1,5mm²

LIMITS TO USE

- Max temperature of the liquid pumped**
+40°C
- pH of the liquid pumped**
5÷8
- Max immersion depth**
20 m
- Liquid density**
1,1 kg/dm³
- Min immersion depth**
350 mm
- Free passage**
7 mm
- Max number starts/hour**
10
- Acoustic pressure level issued**
<70dB(A)

MOTOR

The electric motor is asynchronous with squirrel cage rotor in dry chamber
Class of insulation F
Protection degree IP68
2pole; 50Hz
Main voltage values and relative tolerance in relation to the rated voltage value:
THREE-PHASE
400V ±10%
Other voltages on request.

OTHER FEATURES ON REQUEST

Frequency 60 Hz (see specific catalogue)
Other voltages

TECHNICAL DATA

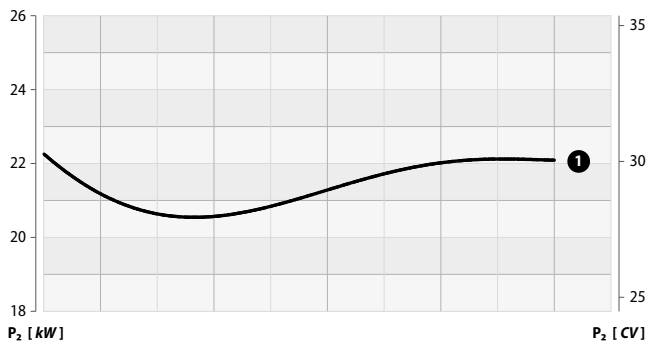
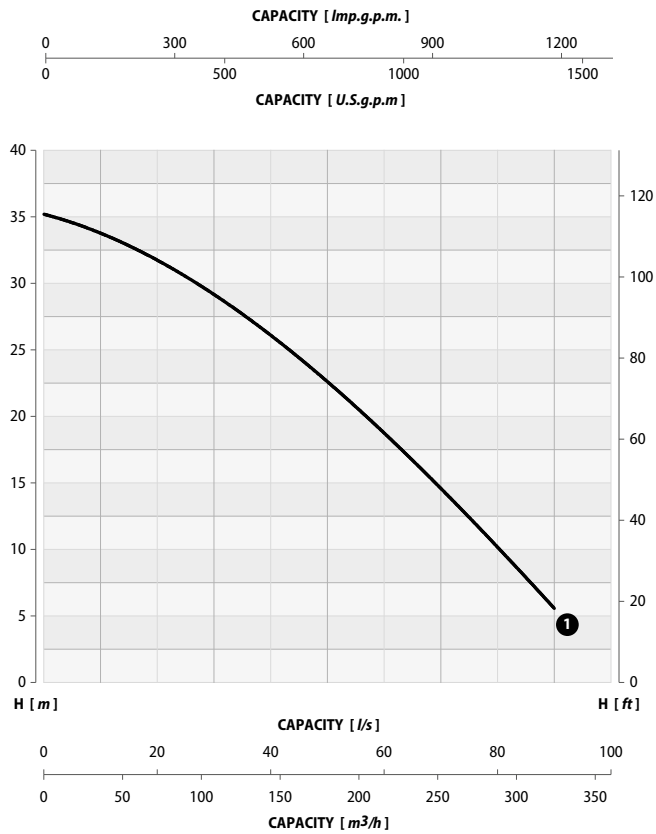
MODEL	P1	P2		VOLTAGE V	CURRENT A	CABLE m	WEIGHT kg
	kW	kW	CV				
22K2	28	22	30	400/690 (3~)	46	20	183

HYDRO SERIES	22K2		OPEN IMPELLER	50 Hz
				2 POLE


PERFORMANCE RANGE

CAPACITY															
<i>l/s</i>	0	5	10	15	20	25	30	35	40	45	50	60	70	80	90
<i>m³/h</i>	0	18	36	54	72	90	108	126	144	162	180	216	252	288	324
<i>l/min</i>	0	300	600	900	1200	1500	1800	2100	2400	2700	3000	3600	4200	4800	5400

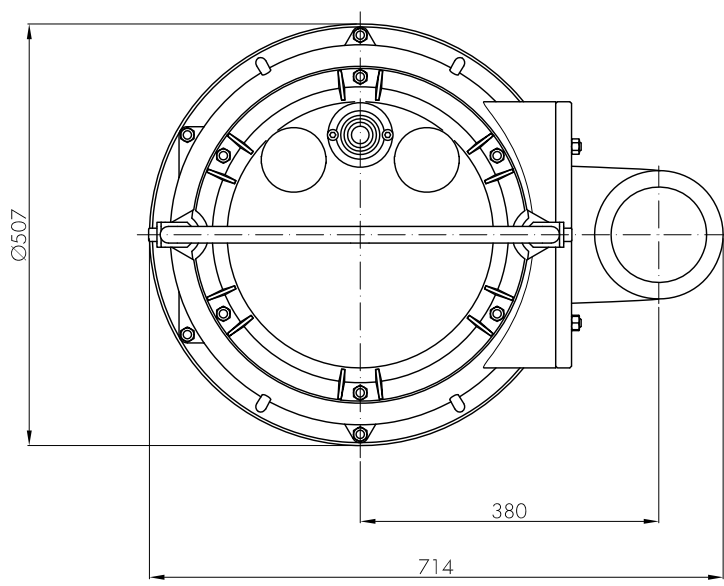
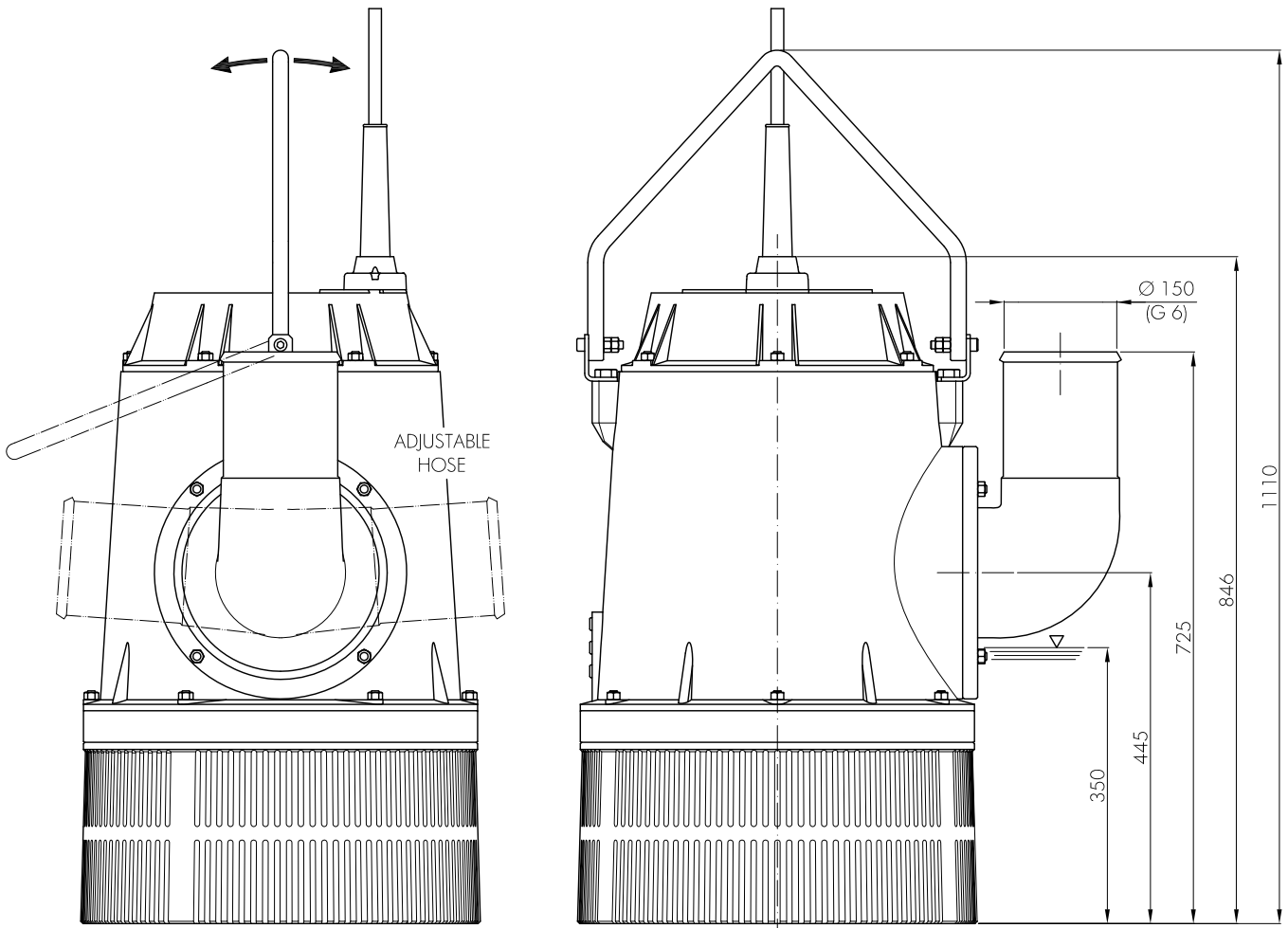
MODEL	CURVE N°	HEAD m														
		22K2	1	35,0	-	-	-	32,0	31,0	29,0	28,0	26,0	24,0	22,0	18,5	15,0




Performance tolerance in according to UNI/ISO 9906 Grade 3B

HYDRO SERIES	22K2		OPEN IMPELLER	50 Hz
				2 POLE

INSTALLATION DIMENSIONS



HYDRO SERIES	22K2		OPEN IMPELLER	50 Hz
				2 POLE

NOTES



Area with horizontal dashed lines for writing notes.

i Changes reserved

06/2022