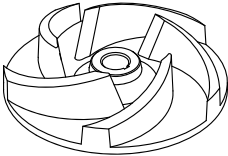


HYDROPOMPE	OPEN IMPELLER	60 Hz
HYDRO SERIES		2 POLE
22K2		

IMPIEGHI

Submersible electric pumps suitable for the lifting of clear and dirty water. They are especially used in building yards and for pumping abrasive liquids.

MATERIALS

Cover

Anticorodal aluminium alloy

Motor housing

Anticorodal aluminium alloy

Pump housing

Anticorodal aluminium alloy with rubber coating

Strainer

Anticorodal aluminium alloy

Wear plate

Stainless steel with rubber coating

Impeller

Stainless steel

Mechanical seal motor side

Ceramics/Graphite

Mechanical seal impeller side

Silicon Carbide/Silicon Carbide (SiC/SiC)

Motor shaft

Stainless steel AISI 431

Bolts and nuts

Stainless steel Grade A2

Cable

20 meters type 07RN-F 7G4+2x1,5mm²

LIMITS TO USE

Max temperature of the liquid pumped

+40°C

pH of the liquid pumped

5÷8

Max immersion depth

20 m

Liquid density

1,1 kg/dm³

Min immersion depth

350 mm

Free passage

7 mm

Max number starts/hour

10

Acoustic pressure level issued

<70dB(A)

MOTOR

The electric motor is asynchronous with squirrel cage rotor in dry chamber

Class of insulation F

Protection degree IP68

2pole; 60Hz

Main voltage values and relative tolerance in relation to the rated voltage value:

THREE-PHASE

400V ±10%

Other voltages on request.


OTHER FEATURES ON REQUEST

Frequency 50 Hz (*see specific catalogue*)

Other voltages

TECHNICAL DATA

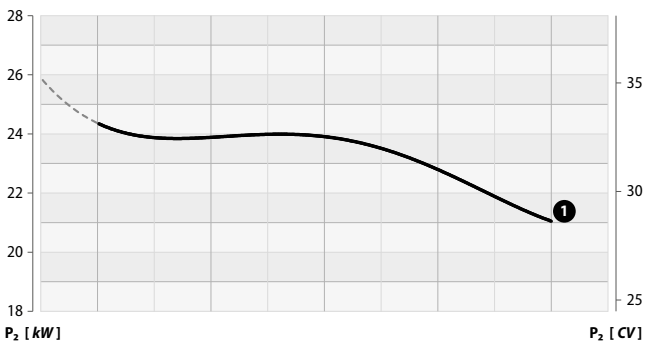
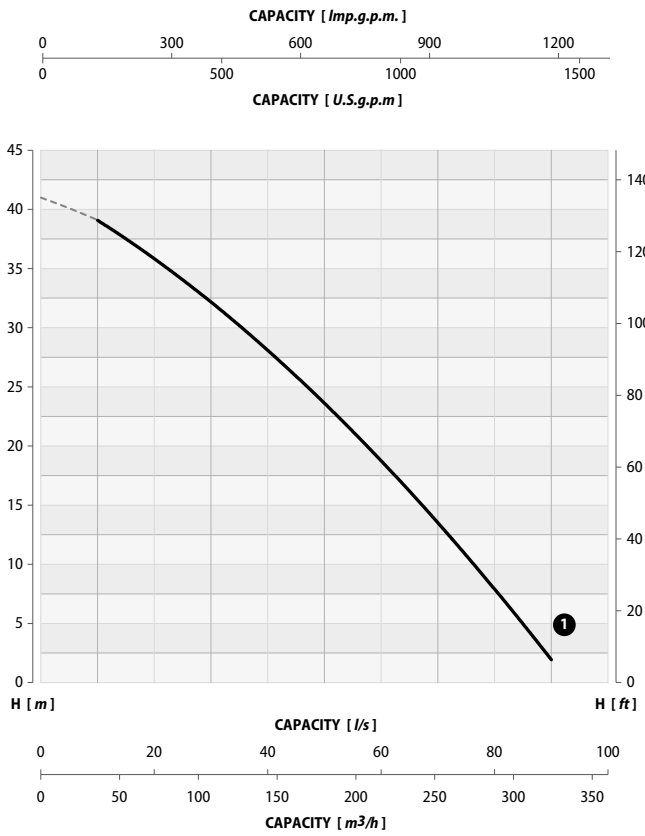
MODEL	P1	P2		VOLTAGE V	CURRENT A	CABLE m	WEIGHT kg
	kW	kW	CV				
22K2	28	24	32,6	400/690 (3~)	46	20	198

HYDRO SERIES	22K2		OPEN IMPELLER	60 Hz
				2 POLE


PERFORMANCE RANGE

		CAPACITY														
<i>l/s</i>	0	5	10	15	20	25	30	35	40	45	50	60	70	80	90	
<i>m³/h</i>	0	18	36	54	72	90	108	126	144	162	180	216	252	288	324	
<i>l/min</i>	0	300	600	900	1200	1500	1800	2100	2400	2700	3000	3600	4200	4800	5400	

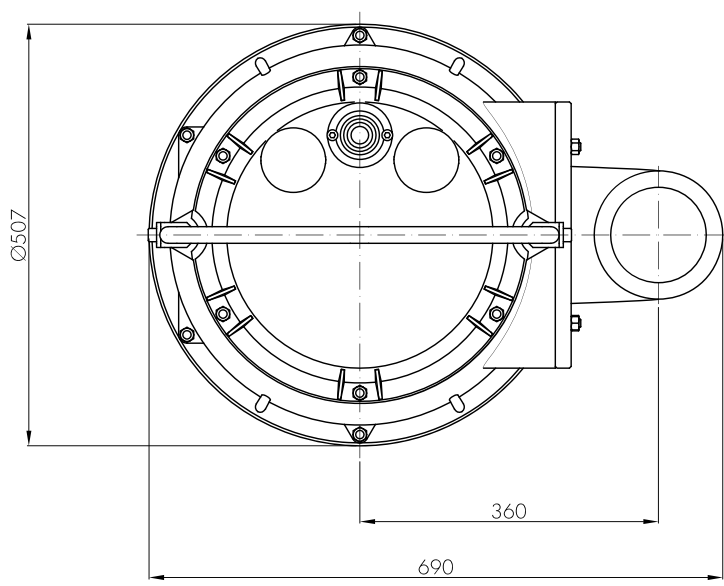
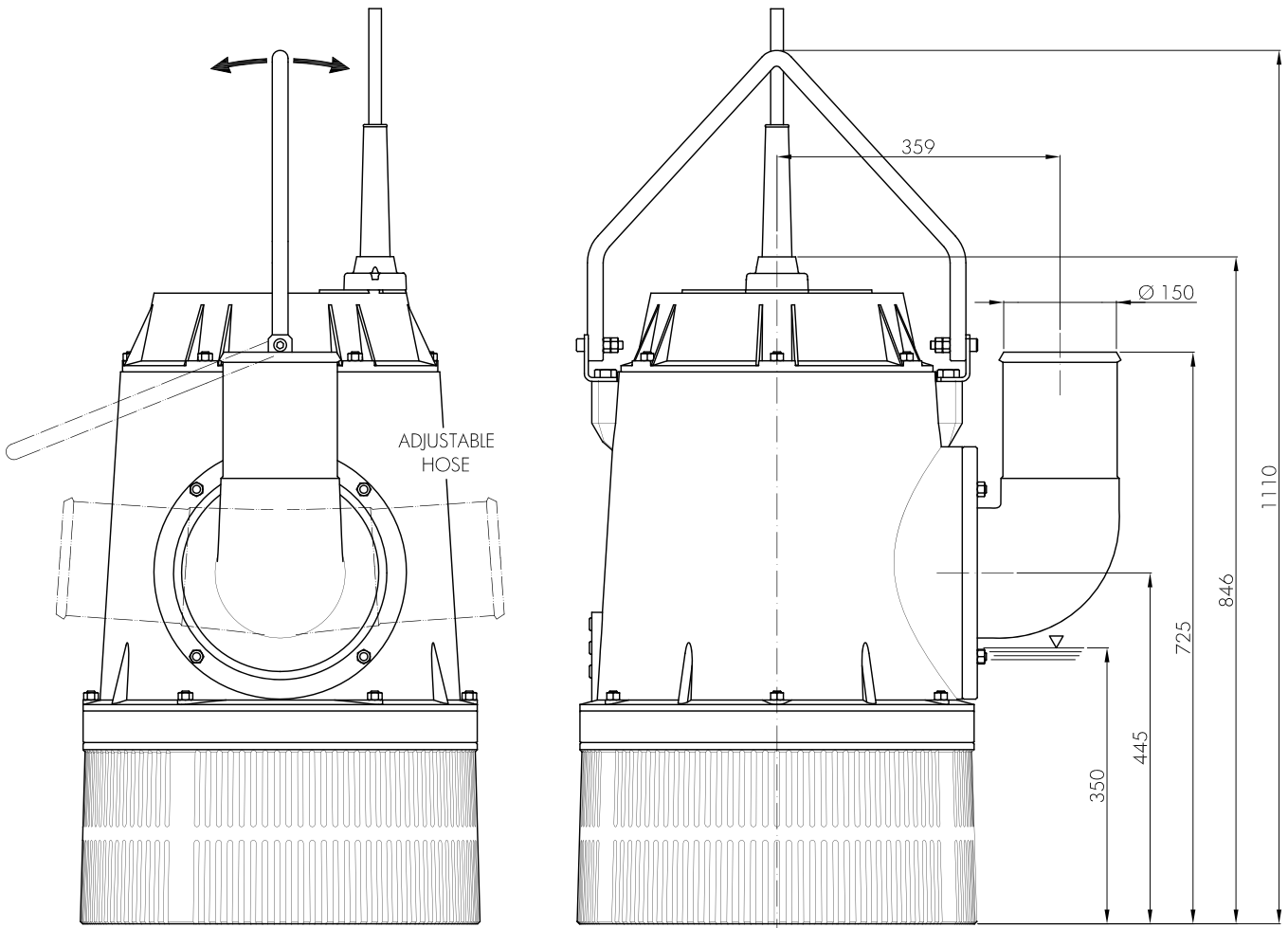
MODEL	CURVE N°	HEAD m														
		22K2	1	41	-	-	-	36,0	34,0	32,0	30,0	28,0	26,0	24,0	19,0	13,0




Performance tolerance in according to UNI/ISO 9906 Grade 3B

HYDRO SERIES	22K2		OPEN IMPELLER	60 Hz
				2 POLE

INSTALLATION DIMENSIONS



HYDRO SERIES	22K2		OPEN IMPELLER	60 Hz
				2 POLE

NOTES



A large area with horizontal dashed lines for writing notes.

i Changes reserved

06/2022